

Vilma 2360101/2360102

INCL.



Ax1



Bx3



Cx1

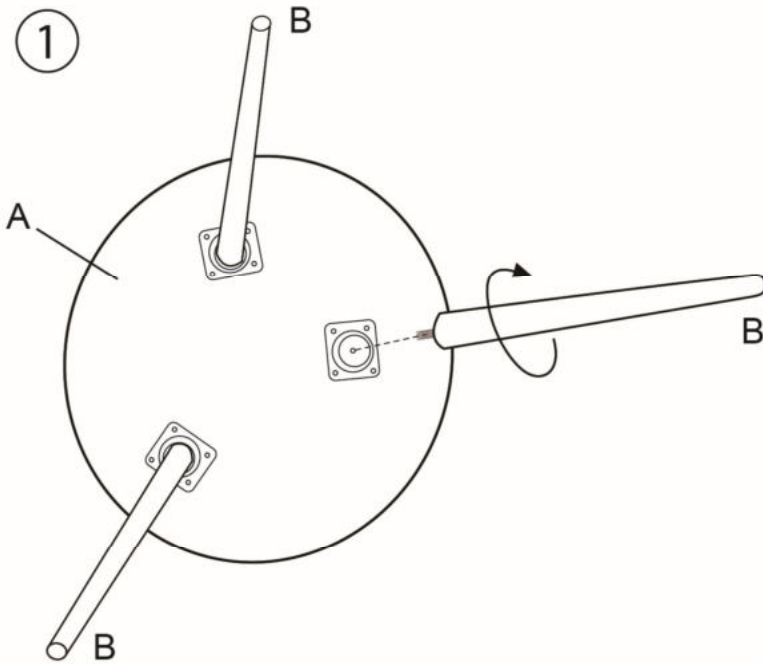


Dx3

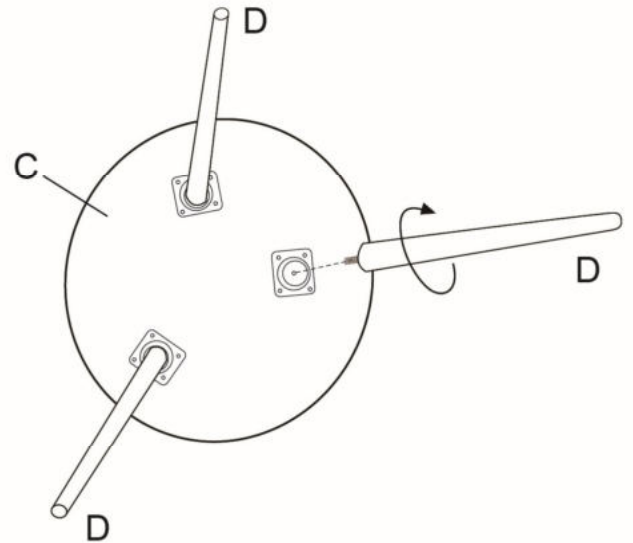


Ex6

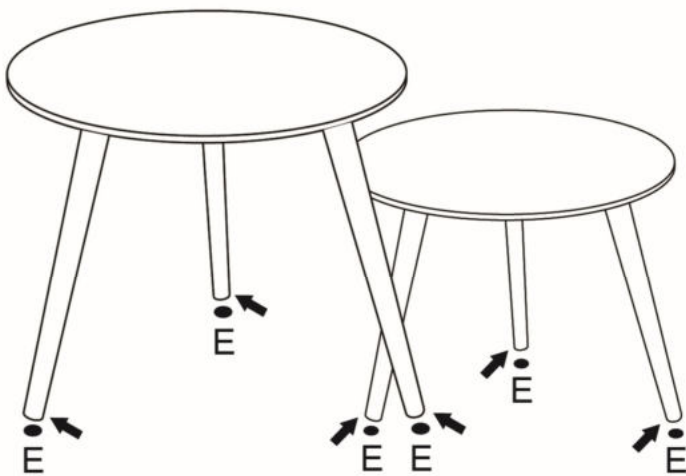
1



2



3



3 min

Max.loading:5kg



MIRRORES
AND MORE

Mirrors & More GmbH
Gut Nierhof 17
D-59757 Arnsberg

www.mirrors-and-more.com