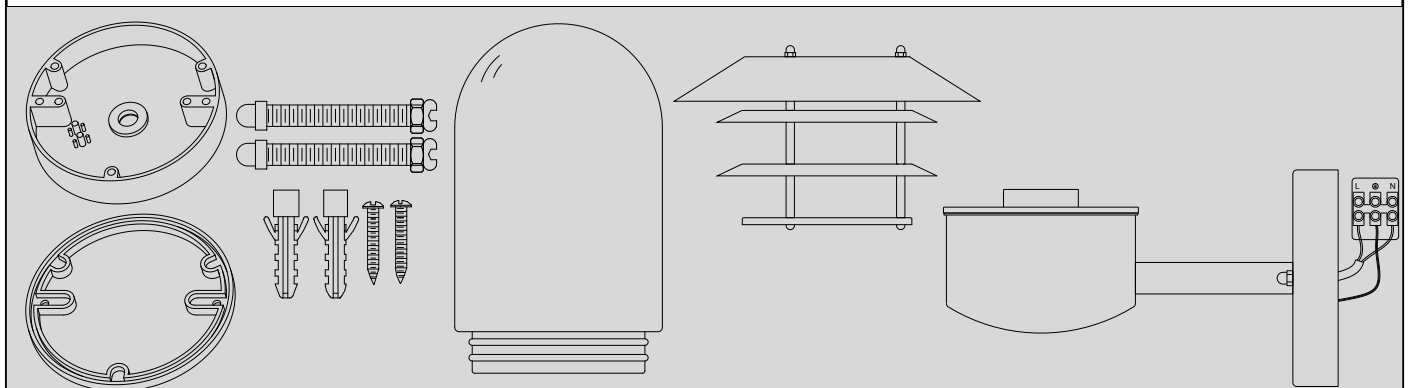
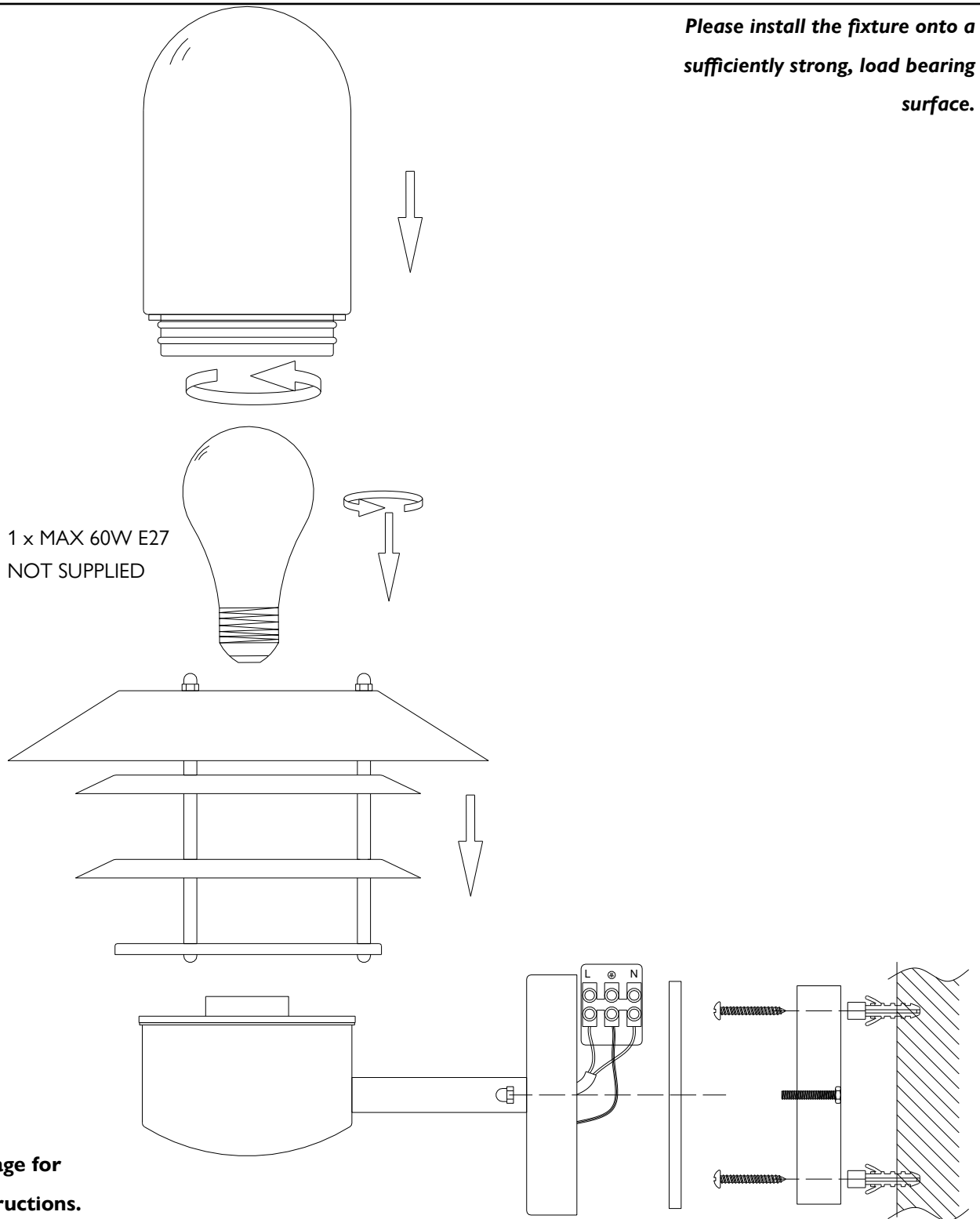


Please install the fixture onto a sufficiently strong, load bearing surface.



Help line +44 1420 82377

IT IS RECOMMENDED THAT LIGHTS ARE INSTALLED BY A QUALIFIED ELECTRICIAN

DR-0170