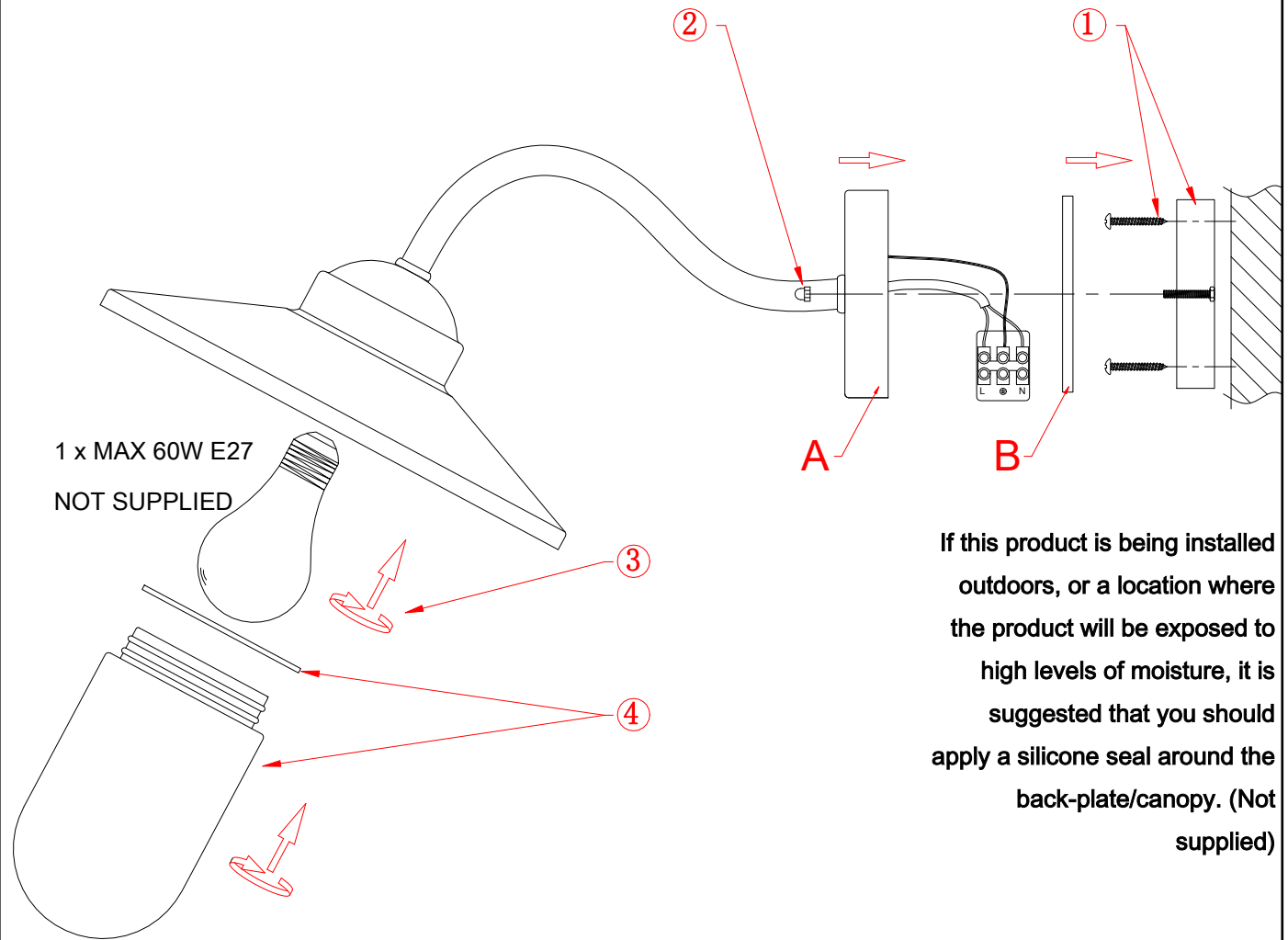


*Please install the fixture onto a sufficiently strong, load bearing surface.*



If this product is being installed outdoors, or a location where the product will be exposed to high levels of moisture, it is suggested that you should apply a silicone seal around the back-plate/canopy. (Not supplied)

See final page for wiring instructions.

