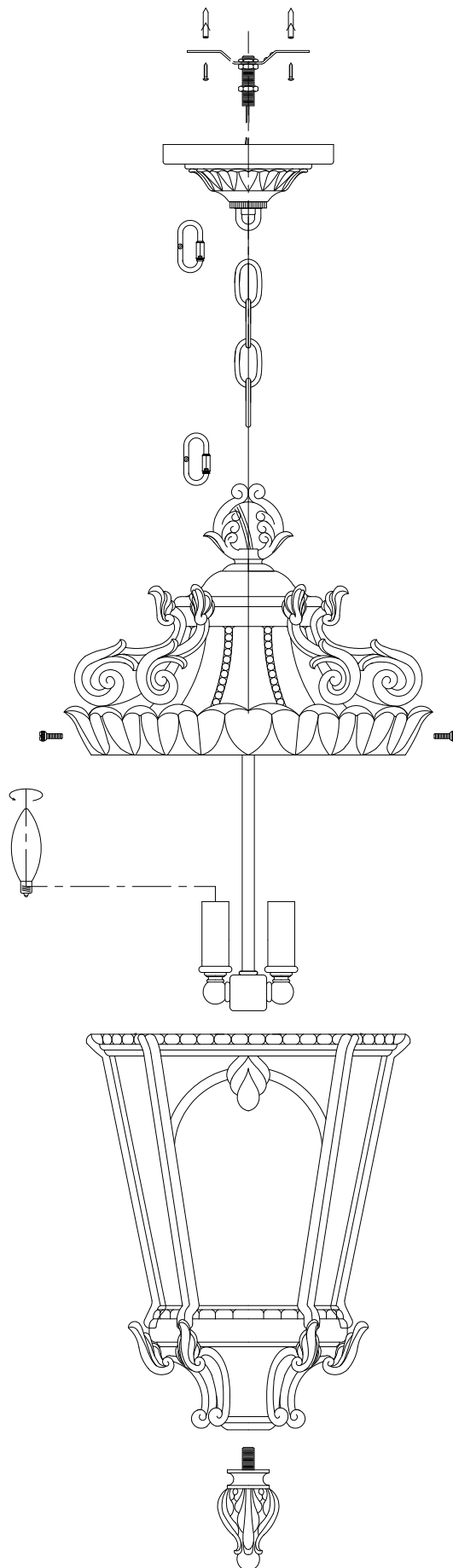


Please install the fixture onto a sufficiently strong, load bearing surface.

3 x MAX. 60W E14
(NOT SUPPLIED)



See final page for wiring instructions.

Help line +44 1420 82377

IT IS RECOMMENDED THAT LIGHTS ARE INSTALLED BY A QUALIFIED ELECTRICIAN