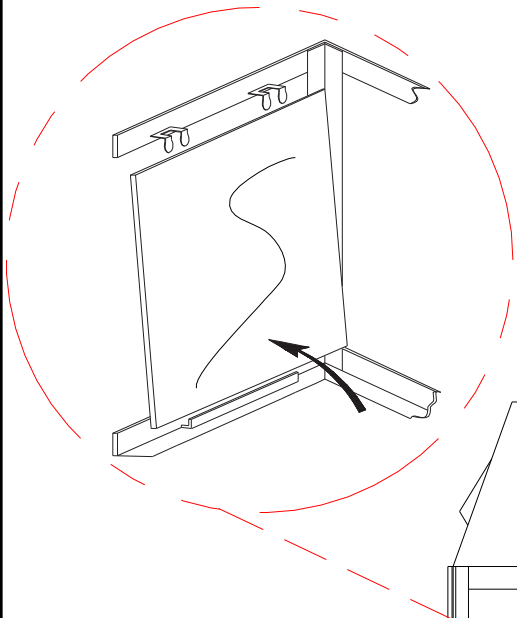


Glass—4 pieces



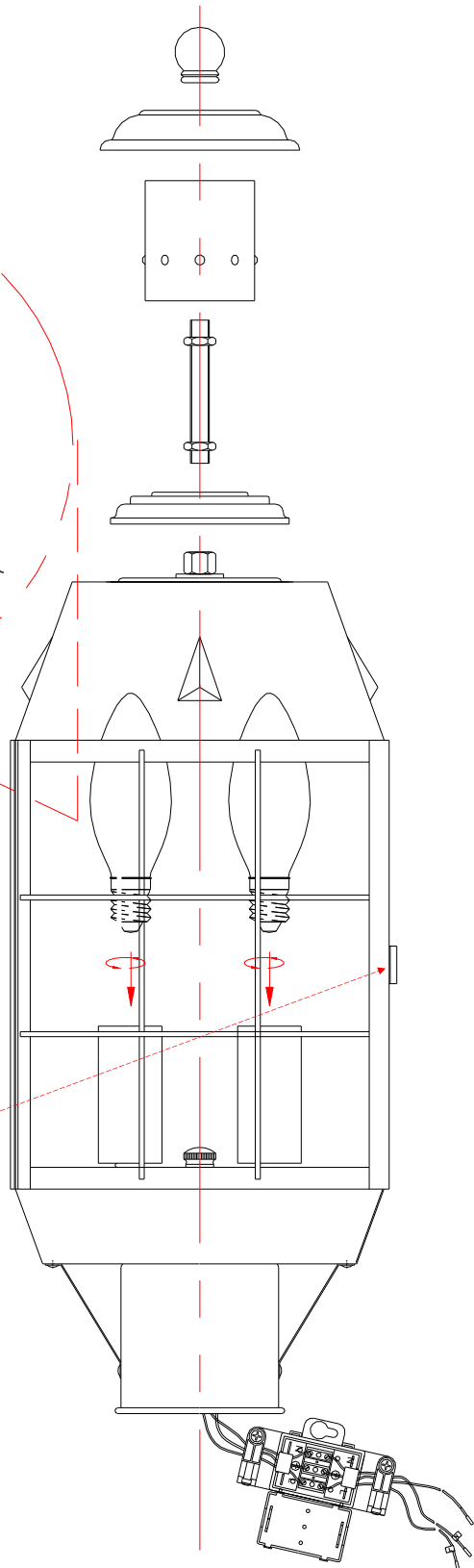
3 x MAX 60W E14

NOT SUPPLIED



Lamps can be accessed through door mechanism.

Lock is on the right.



See final page for wiring instructions.

Help line +44 1420 82377

IT IS RECOMMENDED THAT LIGHTS ARE INSTALLED BY A QUALIFIED ELECTRICIAN